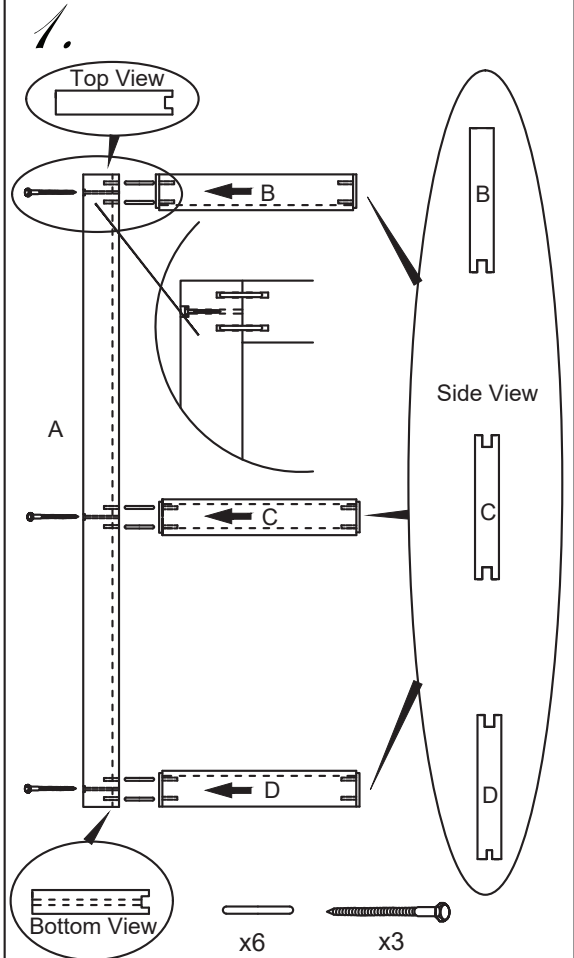
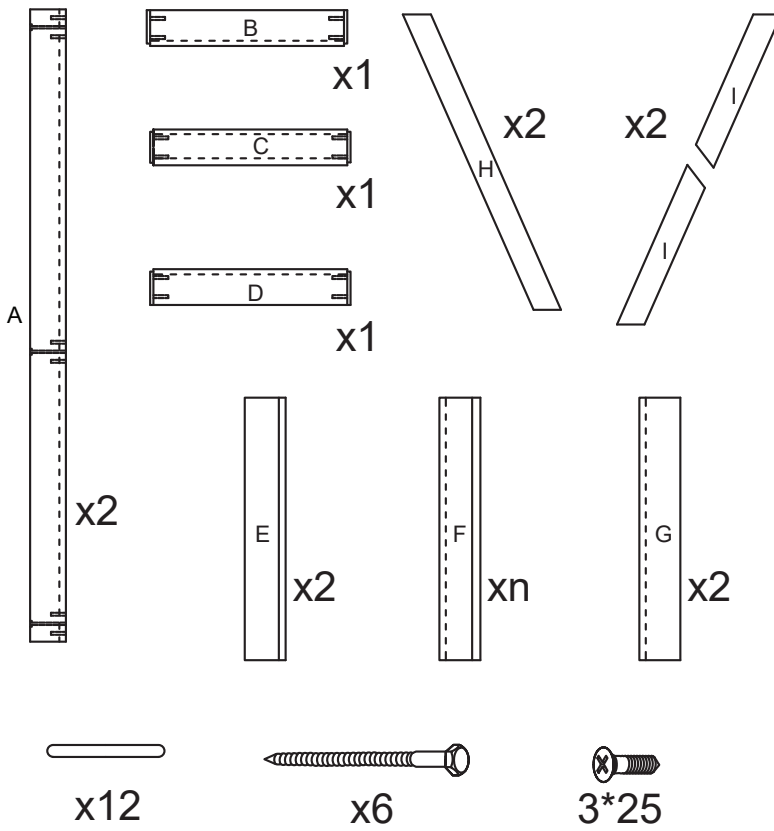
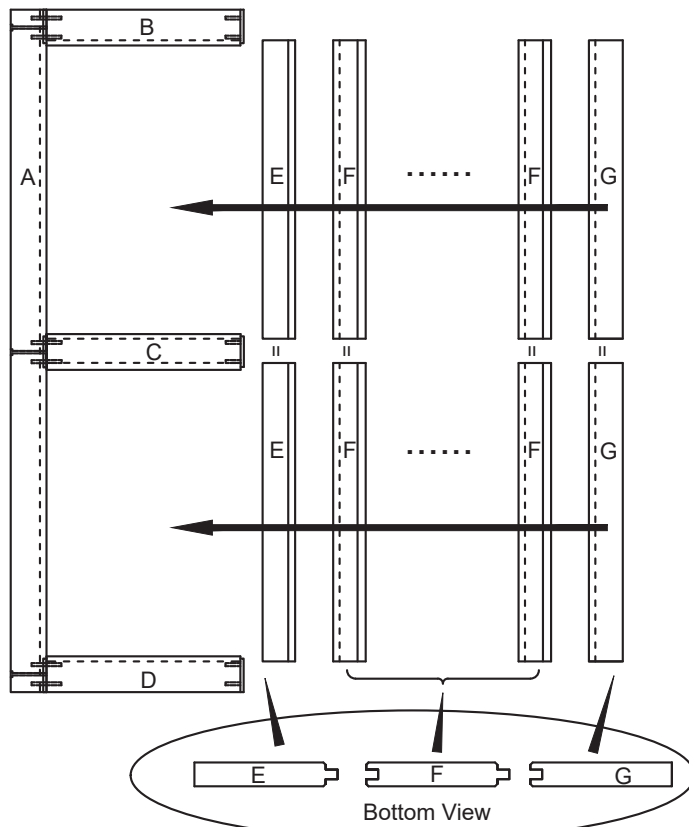


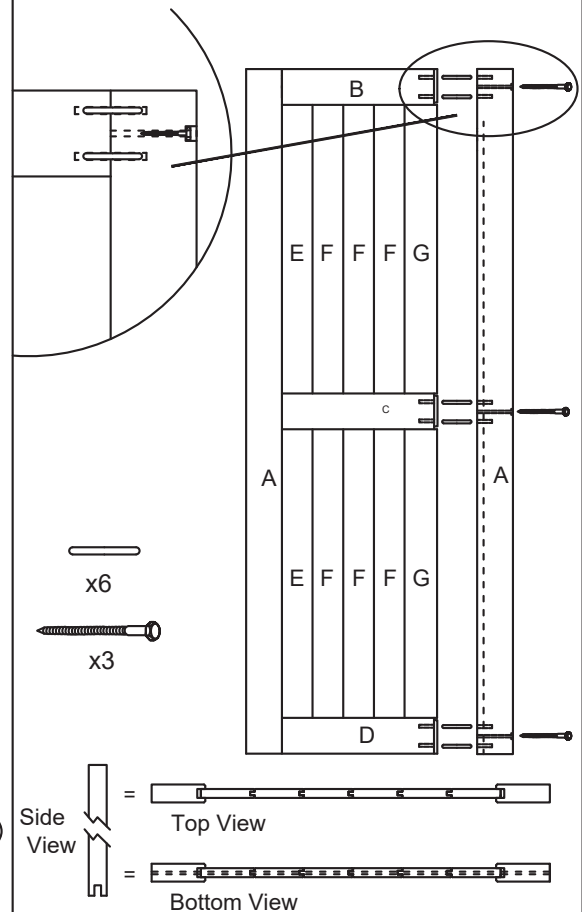
Main Components



2.

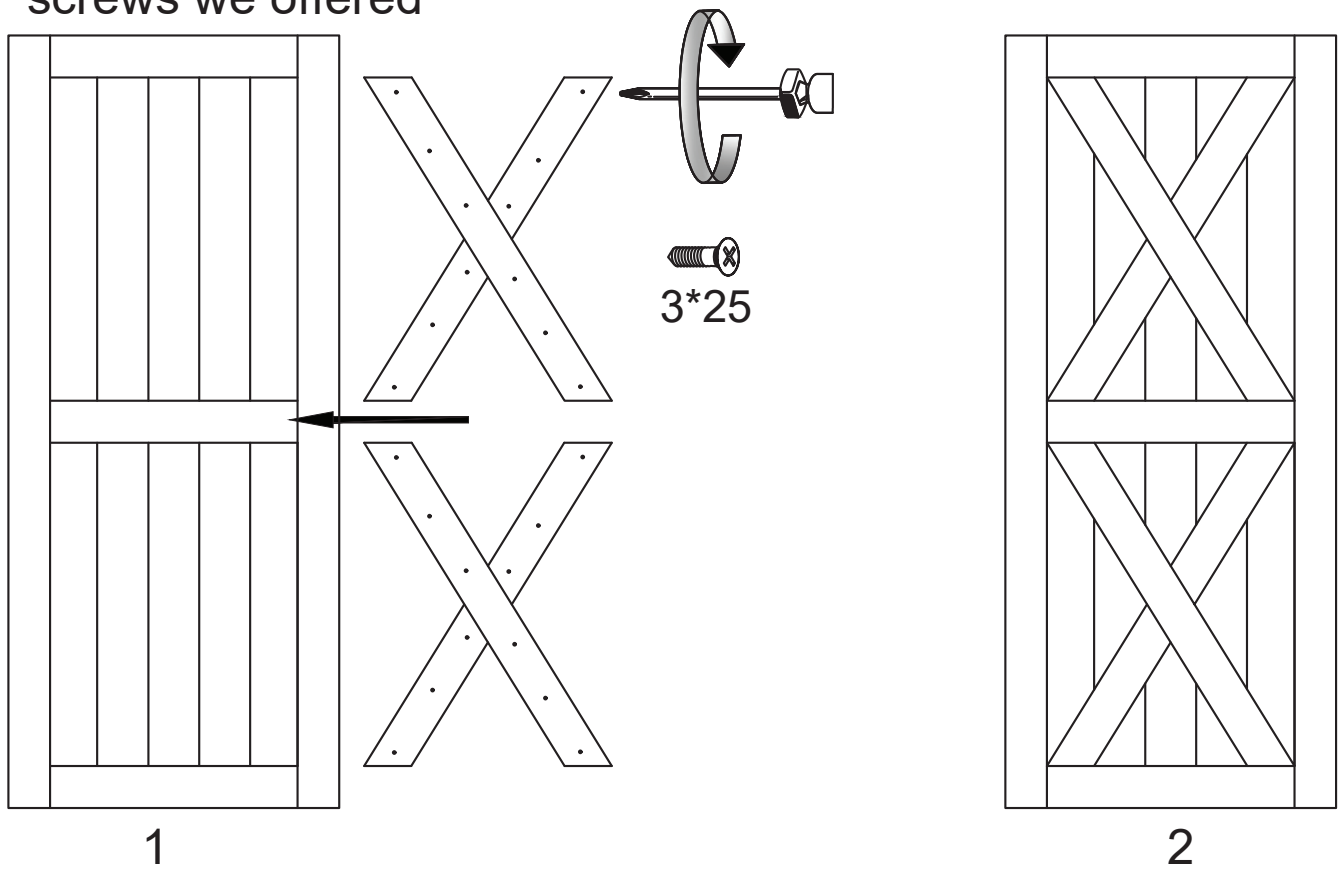


3.



A.

Option A: with the screws we offered



A.

Option B: if installed with nailer and glue, will be better

